

رؤية
VISION 2030
المملكة العربية السعودية
KINGDOM OF SAUDI ARABIA



Excel Series Fire Pumps

Foam Systems | Deluge Systems | Hydrant Systems
Sprinkler Systems | Hose Reel Systems | Hose Rack System

About us



SFFECO is an ISO9001 certified manufacturing company by BRE Global, is a market leader and specialize in manufacturing of fire-fighting equipment in the world. SFFECO has a long standing established reputation for pioneering innovation ever since its foundation in 1983.

SFFECO has its own state-of-the-art manufacturing plants in Riyadh and Dubai producing end-to-end range of products for the fire fighting industry matching international standards in quality.

SFFECO Reputation for Quality & Reliability has made its trusted name through out G.C.C & other Countries Worldwide for its Products. SFFECO is not only rich in History & Quality, but on continuous improvement, & development of product features.

SFFECO is a member of National Fire Protection Association (NFPA), British Standards Institution (BSI), Fire Protection Association (FPA), as well as Approved Vendor to Many Governmental, & Semi - Governmental Sectors in G.C.C.

SFFECO Vision to develop with Wisdom & Prosper in Harmony, and continue to be the leader in the Fire Protection industry providing excellent service & superior products for many years to come.



In line with our policy of continuous product improvement, SFFECO reserves the right to modify specifications without prior notice.

SFFECO Fire Pump System Technology



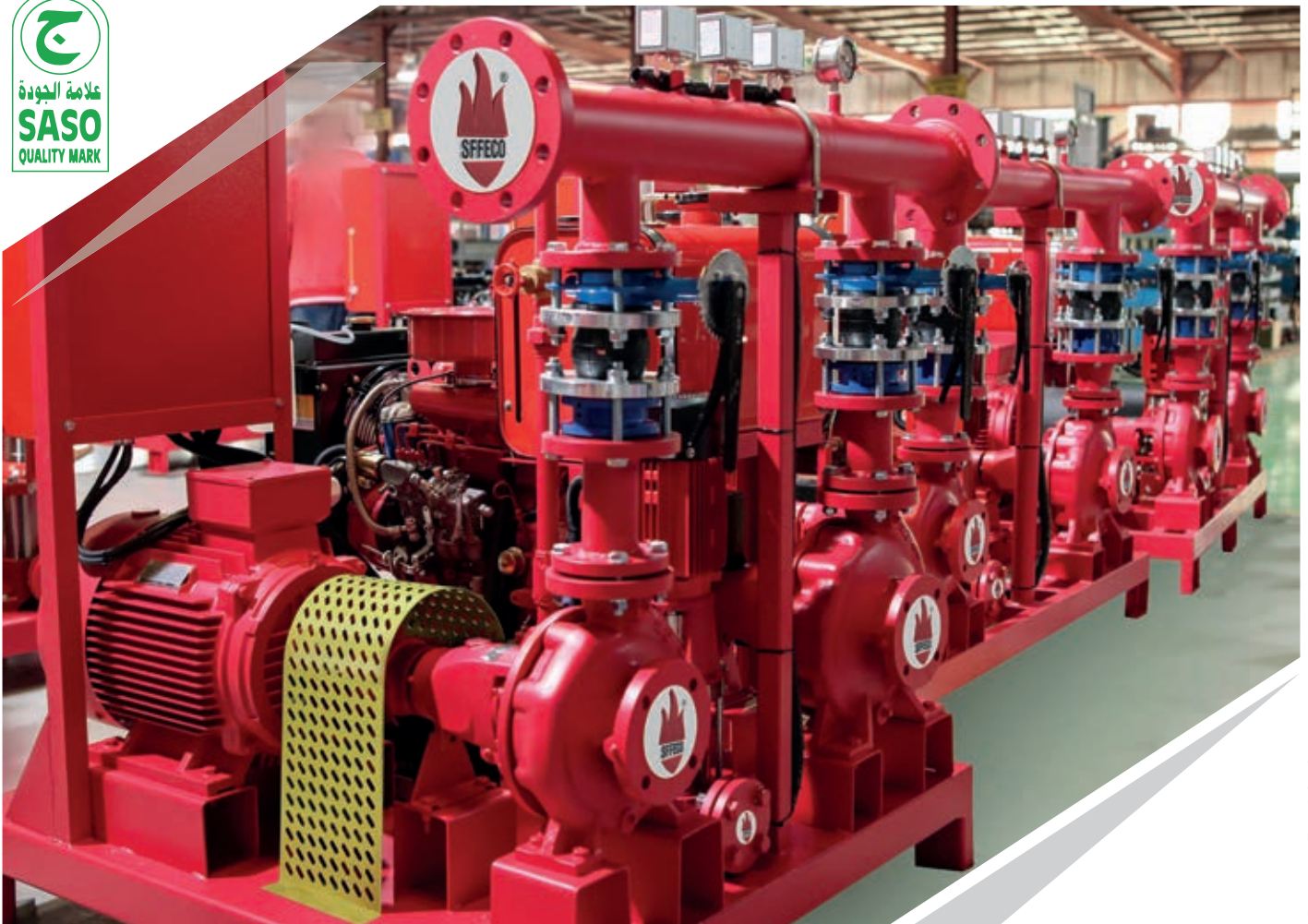
Being local specialist manufacture gives SFFECO the opportunity and privilege to develop an innovative pump assembly units, and tailor pump packages to clients' specific needs, moreover SFFECO has assured supplying pump units comply with local and international authority requirements, as well as NFPA - 20 selection and operation procedures. SFFECO Excel series pumps are SASO approved.

Our developed technology assures that the Excel Series Pre-Fabricated Fire Pump Skids provide Compact Design Pump Sets that are easy to handle, install, and maintain, as all pumping elements, drivers, controllers, and pre-piping are mounted on skids, wired, and factory tested.

Excel Series standard packages included wide variety of fire pump units start from 50 GPM size up to 1500 GPM, with pressure range from 6 bars up to 14 bars. This wide range of pumping & head characteristics has made excel series suitable in various market sectors such as; government buildings, commercial and residential towers, ware houses, factories etc.

Excel Series is the right Choice for most of the Fire Fighting Applications like:

Fire Hose Cabinet Systems, Automatic Sprinkler Systems, Deluge Systems, Fire Hydrant Systems, Foam Systems, etc.



In line with our policy of continuous product improvement, SFFECO reserves the right to modify specifications without prior notice.



www.SFFECO.com

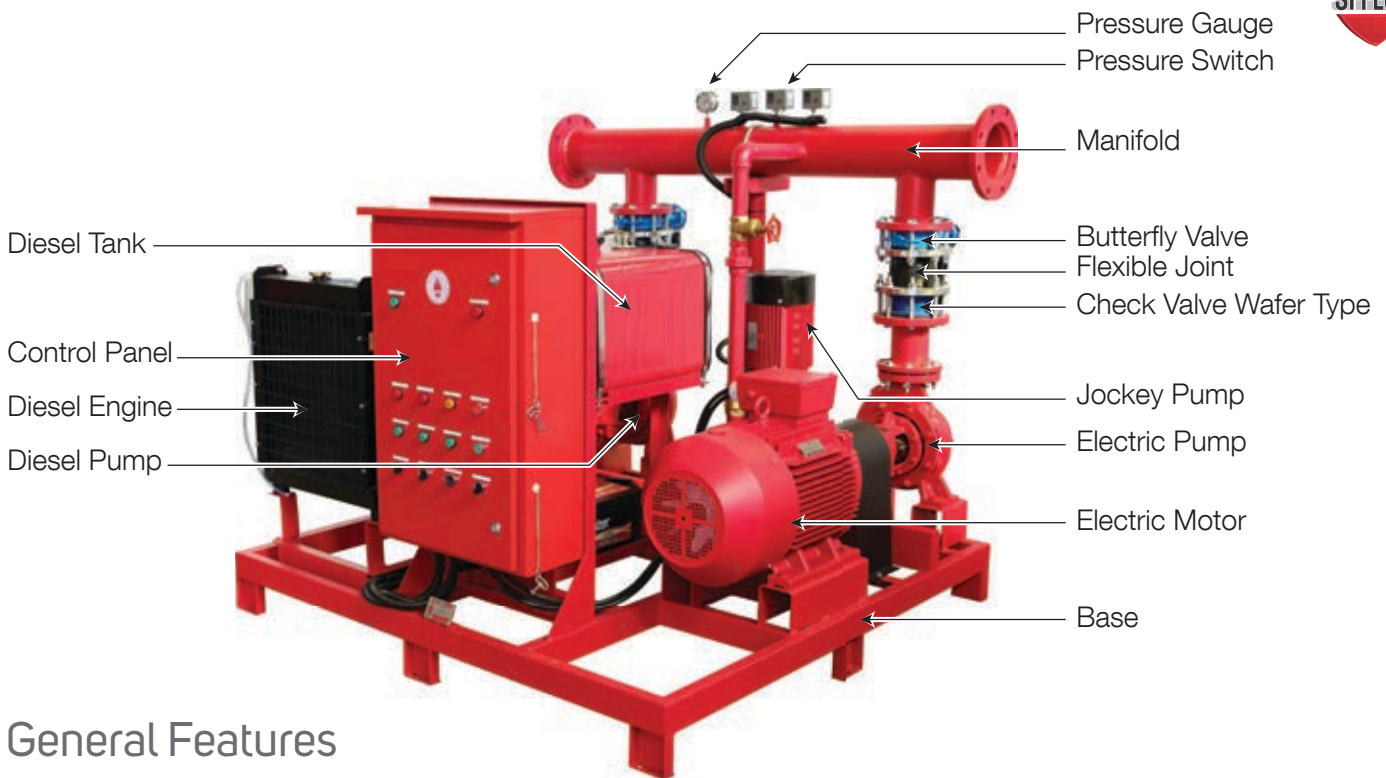
شركة المصنع السعودي لأجهزة الإطفاء
SAUDI FACTORY FOR FIRE EQUIPMENT Co.

Page: 3



SFFECO Fire Pumps - Excel Series
Rev: 6-01-2024

Fire Pump Components



General Features

- ❖ Space Saving Design Efficiency:
- ❖ Nothing beat Excel Series packages since allows to fit in to small spaces.
- ❖ Easy to Install & Handle:
- ❖ Available in capacities from 50 GPM up to 1500 GPM and pressure range up to 12 BAR.
- ❖ Pre- fabricated, pre-piped wired, factory tested unit.
- ❖ In compliances with local civil defense requirement & NFPA 20 selection & operation procedure.
- ❖ Pumps coupled with heavy duty trouble free electrical & diesel drivers.
- ❖ Dynamic balanced pumps impellers.
- ❖ Pump set piping is hydrostatically tested to ensure piping integrity.

The Standard Models of "Excel Series" are EDJ, DJ and EJ.
Other specifications are also available as per customer request.

"Excel Series" Packages Offers Completed Skid Mounted Unit including High quality Horizontal End Suction / Split Case Pumps / Vertical Turbine Pumps that coupled with Heavy duty (Electrical/ Diesel) drivers that assembled with full discharge line control Gate & Butterfly Check Valves along with flexible joints. Pressure Switches & Gauge fitted on well Supported Header, where all pre-piped, wired, & fabricated in Common Compact Skid is Fully Automatic Operated through latest Design Control Panel.

"Excel Series" Innovated design has different Combinations & Models that suite different clients requirements, as well as Hazard application needs.

In line with our policy of continuous product improvement, SFFECO reserves the right to modify specifications without prior notice.

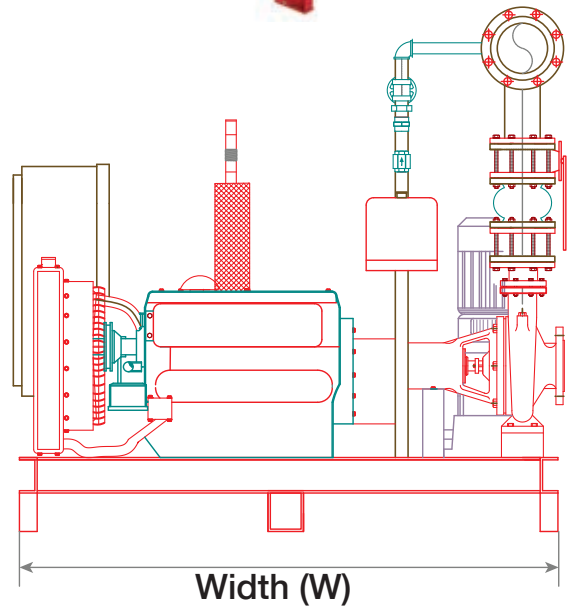
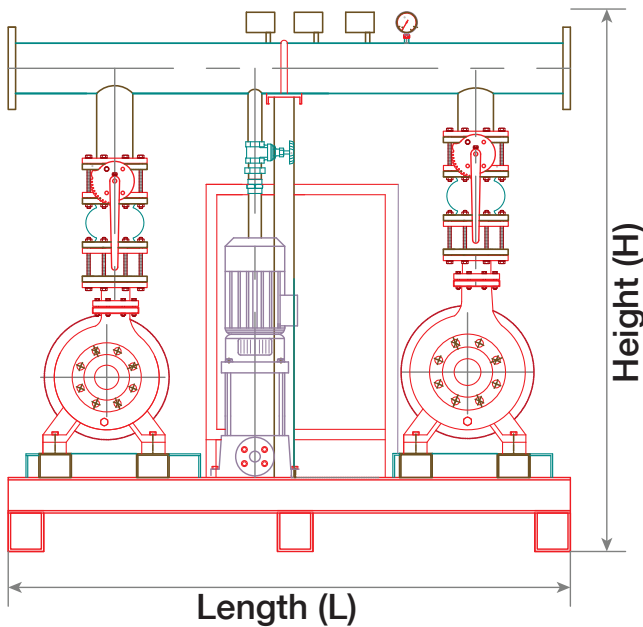
Model: EDJ

Electrical + Diesel + Jockey



Consist of Main End Suction Pump driven by Electrical Motor, Stand by End Suction Diesel Pump driven by Diesel Engine, & Vertical multistage (Jockey) (Maintenance) Pump that all are assembled with discharge line accessories, as well as connected with Skid Mounted Control Panel.

Standard Models:-



Specifications

(GPM)	W (MM)	H (MM)	L (MM)	DIESEL (HP)	MOTOR (HP)	JOCKEY (HP/GPM)	(KG)	HEADER PIPE
1000 Gpm @ 7 bar	1800	1770	1950	110	100	5.5/50	1575	6"
750 Gpm @ 7 bar	1750	1590	1950	85	75	5.5/50	1350	6"
500 Gpm @ 7 bar	1650	1570	1680	60	50	5.5/50	1160	6"
350 Gpm @ 7 bar	1500	1440	1680	40	40	3/20	1135	4"
250/300 Gpm @ 7 bar	1200	1390	1230	40	30	3/17.6	800	4"
120/150 Gpm @ 7 bar	1200	1330	1230	40	20	3/17.6	724	2.5"
50 Gpm @ 7 bar	800	1150	1230	12	5.5	3/17.6	315	2"

Note: Other models or capacities are also provided as per customer requirement.

In line with our policy of continuous product improvement, SFFECO reserves the right to modify specifications without prior notice.

Model: DJ

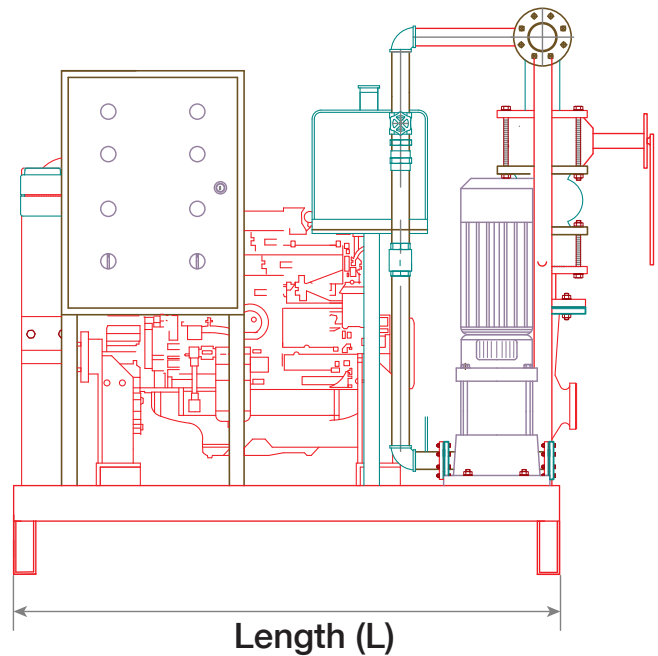
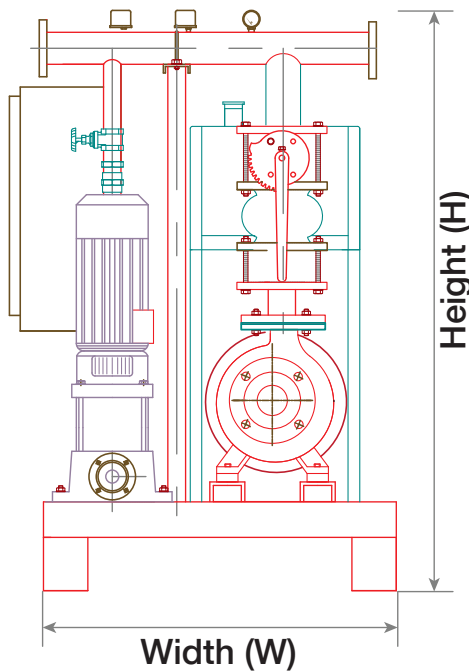
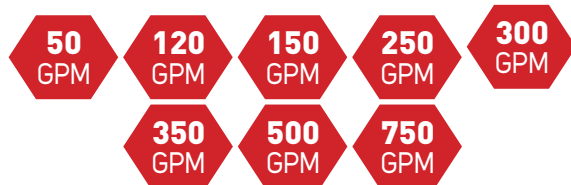
Diesel + Jockey



Consist of Main End Suction Diesel Pump driven by Diesel Engine, & Vertical Multistage Jockey (maintenance) Pump that all are assembled with discharge line accessories, as well as connected with Skid Mounted Control Panel.



Standard Models:-



Specifications

(GPM)	W (MM)	H (MM)	L (MM)	DIESEL (HP)	JOCKEY (HP/GPM)	(KG)	HEADER PIPE
750 Gpm @ 7 bar	1100	1590	1950	85	5.5/50	910	6"
500 Gpm @ 7 bar	1000	1570	1680	60	5.5/50	670	6"
250/300 Gpm @ 7 bar	800	1390	1230	40	3/17.5	520	4"
120/150 Gpm @ 7 bar	800	1160	1230	40	3/17.5	484	2"
50 Gpm @ 7 bar	850	1150	880	12	3/17.5	197	1.5"

Note: Other models or capacities are also provided as per customer requirement.

In line with our policy of continuous product improvement, SFFECO reserves the right to modify specifications without prior notice.

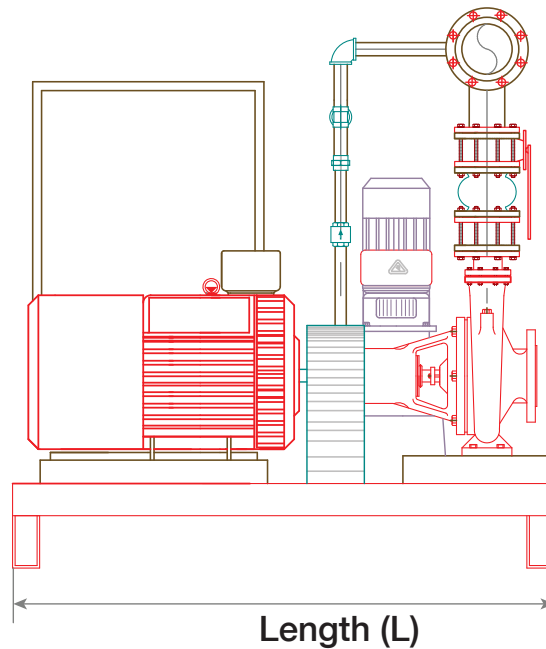
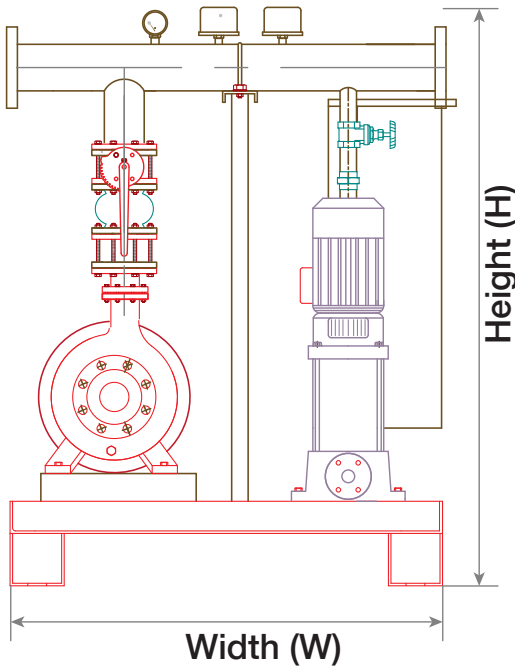
Model: EJ

Electrical + Jockey



Consist of Main End Suction Pump driven by Electrical Motor, & Vertical Multistage Jockey (maintenance) Pump that all are assembled with discharge line accessories, as well as connected with Skid Mounted Control Panel.

Standard Models:-



Specifications

(GPM)	W (MM)	H (MM)	L (MM)	MOTOR (HP)	JOCKEY (HP/GPM)	(KG)	HEADER PIPE
500	900	1550	1400	50	5.5/50	570	6"
250/300	800	1370	1230	30	3/17.6	420	4"
120/150	800	1140	1230	20	3/17.6	309	2"
50	700	1300	900	5.5	3/17.6	175	1.5"

Note: Other models or capacities are also provided as per customer requirement.

In line with our policy of continuous product improvement, SFFECO reserves the right to modify specifications without prior notice.

End Suction

Centrifugal Fire Pump



General

The casing is a heavy duty design. Back pull out design for fast and easy maintenance. Replaceable wear ring to assure optimum efficiency.

Removable and adjustable support foot provides added rigidity and ease of maintenance. Stainless steel shaft sleeve prevents damage to the shaft reduces the maintenance cost. Mechanical seal or soft packing on request.

Features

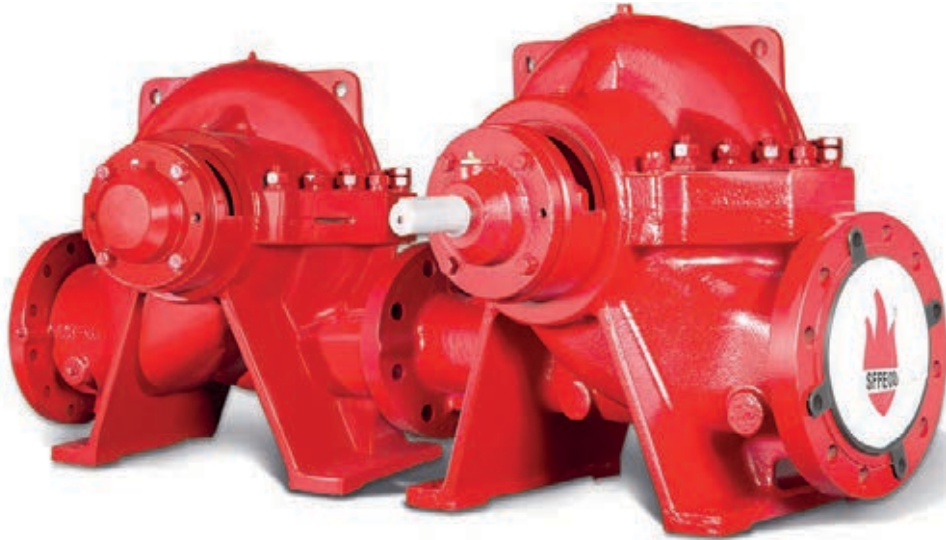
- ❖ Capacity up to 1500 GPM.
- ❖ Rear pull out design supplied as standard with spacer coupling that allow removal of rotating elements without disturbing piping Connection.
- ❖ Hydraulically balanced Impeller, assure smooth operation& long bearing life limit
- ❖ Available in Electrical motor or Diesel Engine driven configuration.
- ❖ Suitable for Commercial, Residential & Industrial applications.
- ❖ Top centre line discharge with foot supported casing



In line with our policy of continuous product improvement, SFFECO reserves the right to modify specifications without prior notice.

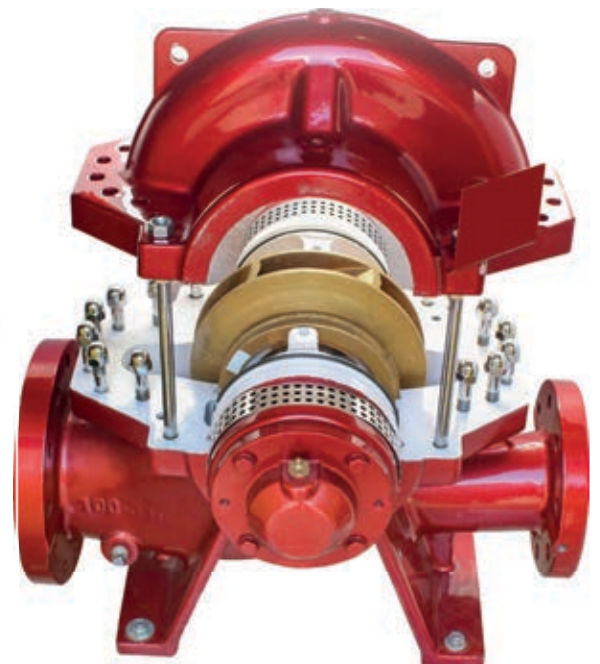
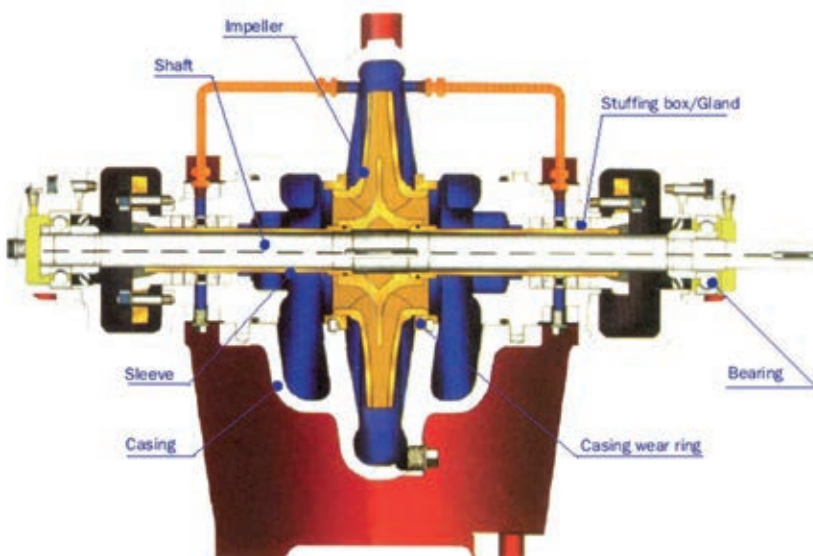
Horizontal Split Case

Fire Pump



Specifications

- ❖ Capacity up to 2000 GPM.
- ❖ Split case design for easy maintenance & Upkeep. Due to easy removal of Upper casing & Inner assembly without disturbing piping Including Stuffing boxes, & bearing Housing.
- ❖ Engine configuration available in Electrical Motor or Diesel
- ❖ Suitable for Commercial, Residential and Industrial Applications.
- ❖ Suction & Discharge flanges are on common Horizontal center line.
- ❖ High Quality Cast iron Casing with Bronze wearing ring.
- ❖ Grease lubrication ball bearing
- ❖ Double suction type impeller offers low pulsation.
- ❖ Removable drip pocket with tapped drain Outlet stuffing box.



In line with our policy of continuous product improvement, SFFECO reserves the right to modify specifications without prior notice.

Vertical Multistage

Stainless Steel Centrifugal Pump



General

Close coupled vertical multistage pump with all stainless steel parts which are driven by a standard TEFC motor, discharge and suction in the same line.

Aluminum casing, single phase motor. Class F and IP55 are standard supply.

Standard supply for liquid temperature upto 90°C, high temperature pump are available on request. Mechanical seal is Tungsten Carbide / Graphite.

All the parts in contact with liquid are made of 304 Stainless Steel, The suction and discharge head can be made of cast iron on request.

Specifications

Parts	Material
Pump Head	Cast Iron EN-GJL-200
Pump Head Cover	Stainless Steel 304
Shaft	Stainless Steel 304
Base	Stainless Steel 304
Shaft Seal	Mechanical
Base Plate	Cast Iron EN-GJL-200
Rubber Parts	EDPM or FKM
Impeller	Stainless Steel 304
Chamber	Stainless Steel 304
Outer Sleeve	Stainless Steel 304

Note: Stainless Steel on Request



In line with our policy of continuous product improvement, SFFECO reserves the right to modify specifications without prior notice.



Electric Motor

Hitec multipurpose motors are the ideal choice for installation in arduous environmental conditions. The range offers a variety of induction motors with a power rating of 0.09kW (0.12HP) to high powered motors providing 160kW (220HP). Class F and IP55 are standard supply. Motors for other voltages, frequencies, specifications and non-standard features are available on request.

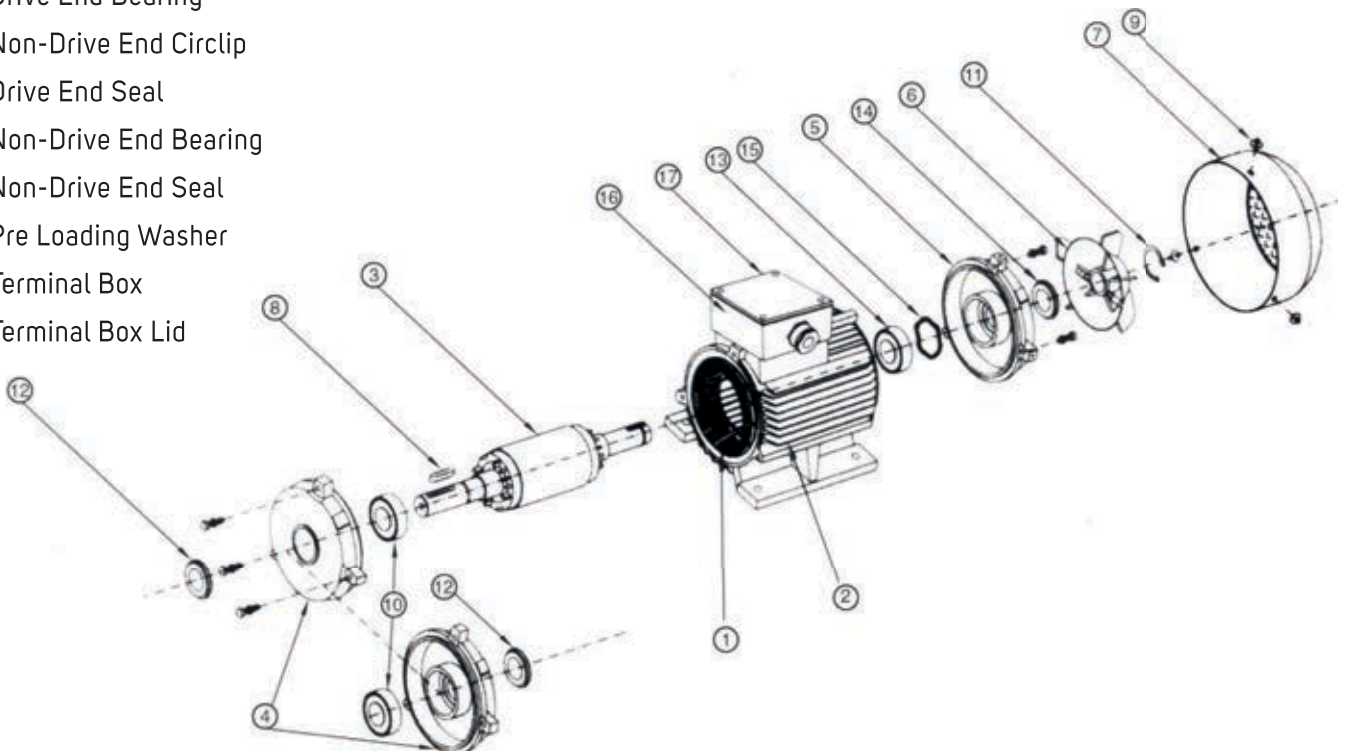
Hitec motor series are highly engineered to cope up with sudden load increases, longer thermal life, higher altitudes and voltage variants. All the motors are manufactured under strict quality control procedures and are fully tested against the applicable standards.

Hitec uses integrated design management techniques for enhancing the efficiency and durability of its products. Reliability, integrity, simplicity in design and ease of maintenance, all endorse the product as a world leader in electric motors.

Hitec motors can handle load and continue working reliability for long hours. The balanced design and the precision of the motor ensure superb performance.

Parts:

1. Wound Stator
2. Housing
3. Rotor
4. Drive End Shield
5. Fan
6. Fan Cover
7. Key
8. Fan Cover Screw
9. Drive End Bearing
10. Non-Drive End Circlip
11. Drive End Seal
12. Non-Drive End Bearing
13. Non-Drive End Seal
14. Pre Loading Washer
15. Terminal Box
16. Terminal Box Lid



In line with our policy of continuous product improvement, SFPECO reserves the right to modify specifications without prior notice.

Diesel Engine

Basic Components



- ❖ Flywheel Housing
- ❖ Fly Wheel
- ❖ Fuel Pipes
- ❖ Rigid Mounts
- ❖ Fresh Water Circulating Pump
- ❖ Thermostat
- ❖ Fuel Pump Governor
- ❖ Fuel Lift Pump
- ❖ Full Flow Fuel Filters
- ❖ Full Flow Lub. Oil Filters
- ❖ Exhaust manifold
- ❖ Intake Manifold Adaptor
- ❖ Exhaust Manifold Adaptor



General

MegaForce Diesel Engines are specially tailored to meet the customer's specification and optimum performance, thus guaranteeing the product best suited to the application.

Engine Fuel Systems calibrated to specific power and speed requirements, ensure MegaForce Diesel Engines for maximum efficiency.

MegaForce Diesel Engines have long periods of idleness, coupled to routine testing at maximum speed and at times with no load, necessitates a power unit of exceptional qualities. The range offers from small cylinder engine giving an output of 19kW @ 2900 rpm to a high powered configured engine of 400kW. All power units are manufactured to comply with strict control procedures (ISO 9001) and fully tested against the applicable standards in line with client requirements.

Model	Rating kW (HP)	RPM	Configuration	Bores x Stroke (mm)	Diameter (mm)	Length (mm)	Width (mm)	Height (mm)
MFS 25	19 (25)	3000	3 Cylinder /4 Stroke / Inline	80 x 90	42	600	515	608
MFS 40	30 (40)	2900	4 Cylinder /4 Stroke / Inline	85 x 95	48	735	515	645
MFS 60	45 (60)	3000	4 Cylinder /4 Stroke / Inline	95 x 100	48	735	515	650
MFS 85	63 (85)	3000	4 Cylinder /4 Stroke / Inline	102 x 118	60	810	695	780
MFS 110	82 (110)	3000	4 Cylinder /4 Stroke / Inline	113 x 125	60	920	595	800
MFS 130	97 (130)	3000	6 Cylinder /4 Stroke / Inline	113 x 120	60	1280	700	985
MFS 150	112 (150)	3000	6 Cylinder /4 Stroke / Inline	115 x 125	60	1280	700	985
MFS 180	134 (180)	3000	6 Cylinder /4 Stroke / Inline	115 x 125	60	1280	700	995
MFS 220	164 (220)	3000	6 Cylinder/4 Stroke/ Inline T	126 x 130	70	1520	950	1180
MFS 270	201 (270)	3000	6 Cylinder/4 Stroke/ Inline T	126 x 130	70	1520	950	1180
MFS 300	224 (300)	3000	6 Cylinder/4 Stroke/ Inline T	126 x 140	70	1520	950	1180
MFS 320	239 (320)	3000	6 Cylinder/4 Stroke/ Inline T	126 x 140	70	1520	950	1180
MFS 350	261 (350)	2900	6 Cylinder/4 Stroke/ Inline T	126 x 140	70	1520	950	1180
MFS 375	280 (375)	2900	6 Cylinder/4 Stroke/ Inline T	126 x 155	70	1520	950	1200
MFS 425	317 (425)	2900	6 Cylinder/4 Stroke/ Inline T	135 x 169	100	1497	904	1233
MFS 475	354 (475)	2900	6 Cylinder/4 Stroke/ Inline T	135 x 169	100	1497	904	1233
MFS 536	400 (536)	2900	6 Cylinder/4 Stroke/ Inline T	135 x 169	100	1497	904	1233

Diesel Engines of high capacities is available as per requirement.

In line with our policy of continuous product improvement, SFFECO reserves the right to modify specifications without prior notice.

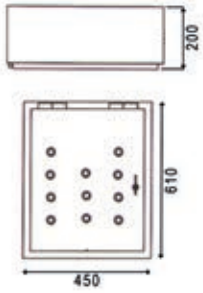
“Excel Series” Fire Pump Unit Controller is the Pump Package brain that designed to Control & Monitor the operation of the Main, Standby, and Jockey pumps Drivers, and makes up pumps for both Manual & Automatic modes, as well as turns pumps drivers ON/OFF under specific conditions.

The Fire Pump Package Controller detects signals through set of built in switches that reflect the system Pressure & Flow status enabling fire pump package drivers (Electrical /Diesel /Jockey) to operate in case of pressure in the system is lower than set point, as well as operating the Stand by driver due to power failure and/or substantial drop in pressure.

SFFECO’s Excel Series Controllers are pre-wired, and factory tested before shipment and made ready for immediate usage.

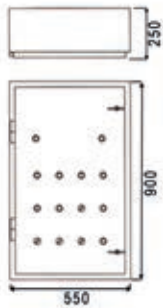
Features

- ❖ Standard Dry Run Protection.
 - ❖ DOL – Star Delta Starter Circuit available up on request.
 - ❖ Different Mounting Styles.
 - ❖ IP standard Available up on request (Optional).
 - ❖ Low Maintenance Cost and available spare parts.
 - ❖ Standard cable marking for easy maintenance.
 - ❖ Low Pressure cut-off.
 - ❖ Automatic or manual (test) operation.
 - ❖ Compatible with any monitoring systems like BMS (Optional).
 - ❖ Battery charger.
 - ❖ Fault Trip facility (other than dry run - optional).
 - ❖ Strong, Reliable and Elegant Standard Red Powder Coated Enclosure.
- Stainless Steel Enclosures are available for out door applications (Optional).



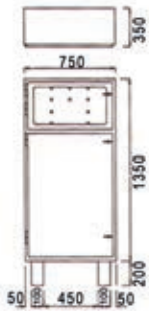
Model A

- ❖ Wall & Base mounted arrangement.
- ❖ Standard up to 250 GPM Skid size.
- ❖ Standard as common panel for Electrical, Diesel & Jockey drivers.
- ❖ Seperate arrangement is available up on request.



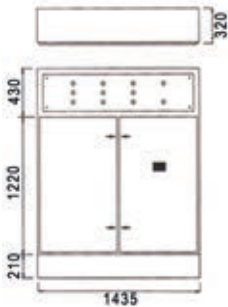
Model B

- ❖ Wall & Base mounted arrangement.
- ❖ Standard up to 750 GPM Skid size.
- ❖ Standard as common panel for Electrical, Diesel & Jockey drivers.
- ❖ Seperate arrangement is available up on request.



Model C

- ❖ Standard self standing arrangement.
- ❖ Standard up to 1500 GPM (Star Delta) Skid size.
- ❖ Standard as common panel for Electrical, Diesel & Jockey drivers.
- ❖ Seperate arrangement is available up on request.



Model D (Optional)

- ❖ Standard self standing arrangement.
- ❖ Standard as common panel for Electrical, Diesel & Jockey drivers.
- ❖ Seperate arrangement is not available.

SFFECO HAS A LONG STANDING ESTABLISHED REPUTATION FOR PIONEERING INNOVATION EVER SINCE ITS FOUNDATION IN 1983.

SFFECO HAS ITS STATE-OF-THE-ART MANUFACTURING PLANTS IN RIYADH AND DUBAI PRODUCING END-TO-END RANGE OF PRODUCTS FOR THE FIRE FIGHTING INDUSTRY MATCHING INTERNATIONAL STANDARDS IN QUALITY.



شركة المصنع السعودي لأجهزة الإطفاء SAUDI FACTORY FOR FIRE EQUIPMENT Co.

FACTORY & HEAD OFFICE - RIYADH

2nd Industrial Area, Al-Kharj Road, Riyadh, KSA, P.O. Box: 58469, Riyadh 11515
Tel : +966 11 2650070, E-mail: riyadh@sffeco.com.sa

SFFECO GLOBAL - DUBAI

P.O. Box: 261318, JAFZA South, Dubai U.A.E.
Tel: +971 4 880 9890, E-mail: sales@sffecoglobal.com

JEDDAH BRANCH

P.O. Box: 16769, Jeddah – 21474, KSA
Tel : +966 12 670 6009,
E-mail: jeddah@sffeco.com.sa

DAMMAM BRANCH

P.O. Box: 7162, Dammam – 31462, KSA
Tel : +966 13 8351961,
E-mail: dammam@sffeco.com.sa

MADINAH BRANCH

Tel : 0148660959, 0148283256,
E-mail: madinah@sffeco.com.sa



www.
SFFECO.com